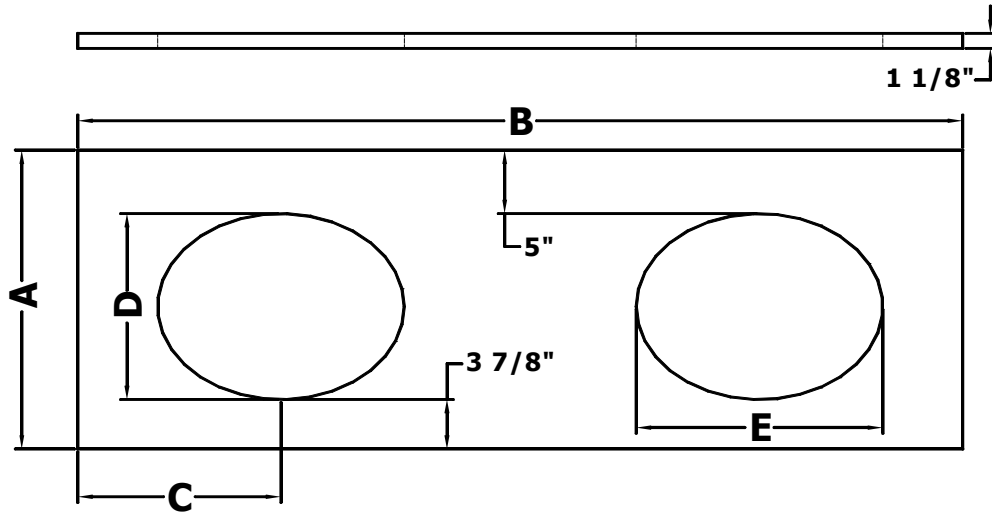




Quartz Top Specifications Two Oval Bowls



	Depth A	Length B	Bowl Center C	Bowl Depth D	Bowl Width E
MQ5522O	22 1/2	55	11 7/8	13 11/16	16 7/8
MQ5522M	22 1/2	55	12 1/2	13 11/16	16 7/8
MQ6122O	22 1/2	61	12 1/2	13 11/16	16 7/8
MQ6122M	22 1/2	61	14	13 11/16	16 7/8
MQ6722M	22 1/2	67	12 1/2	13 11/16	16 7/8
MQ7322M	22 1/2	73	14	13 11/16	16 7/8

Wall to Wall Two Oval Bowls Quartz Tops with **NO End Profile**

	Depth A	Length B	Bowl Center C	Bowl Depth D	Bowl Width E
MQ5422O	22 1/2	54	11 7/8	13 11/16	16 7/8
MQ5422M	22 1/2	54	12 1/2	13 11/16	16 7/8
MQ6022O	22 1/2	60	12 1/2	13 11/16	16 7/8
MQ6022M	22 1/2	60	14	13 11/16	16 7/8
MQ6622M	22 1/2	66	12 1/2	13 11/16	16 7/8
MQ7222M	22 1/2	72	14	13 11/16	16 7/8